

Dealer: GORMAN

Approved By:

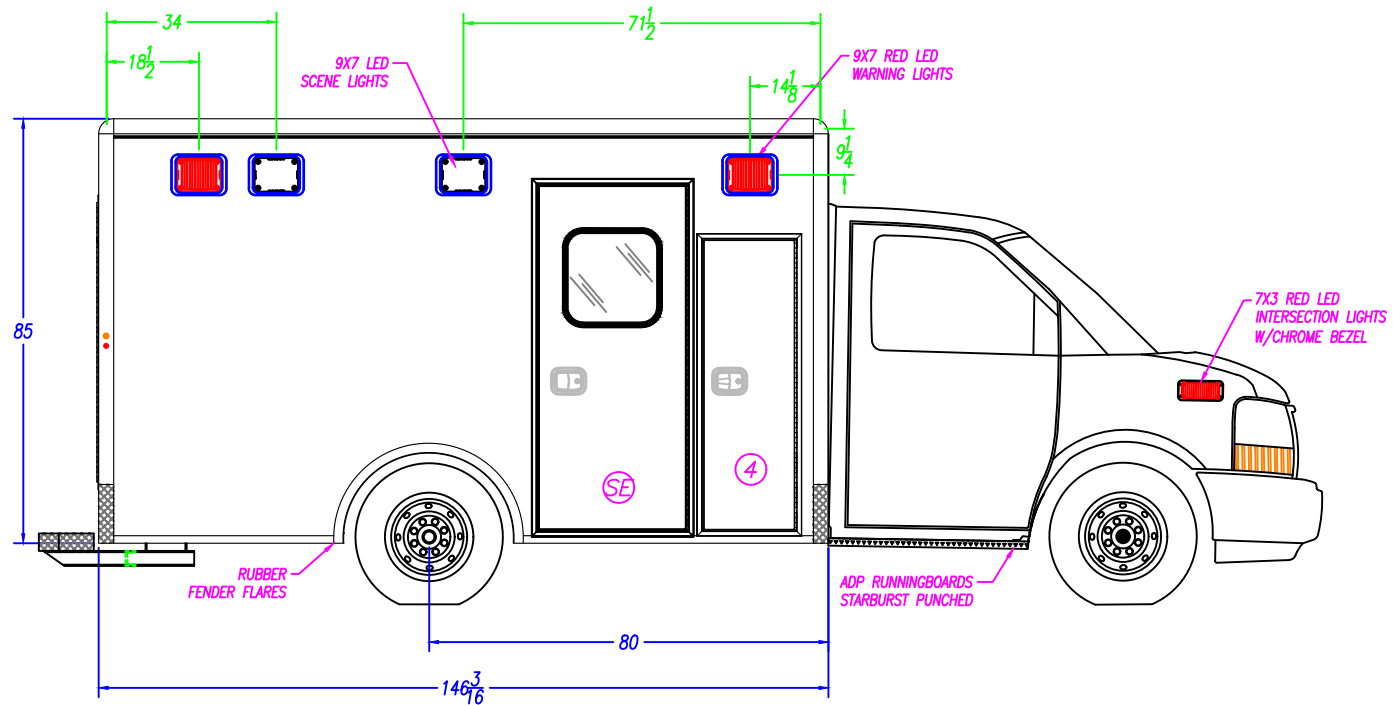
Date:

Customer:

23-91192-93

Sheet  
**A**

ALL COMPARTMENT & ENTRY DOORS TO HAVE POWER LOCKS, WIRE TO OEM  
 ALL WARNING, SCENE, AND TAIL LIGHTS TO HAVE CHROME BEZELS  
 ALL GREEN DIMENSIONS ARE TAKEN FROM EDGE OF WALL  
 SURFACE PRIOR TO CORNER CAP BEING APPLIED



**COMPARTMENT SIZES**

NOTE: THE DIMENSIONS BELOW ARE OVERALL INTERIOR SIZES FOR EACH SPECIFIED COMPARTMENT TUB

**COMPARTMENT & ENTRY DOORS**

**COMPARTMENT TUBS**

NO.	COMPARTMENT TYPE	WIDTH	HEIGHT	DEPTH
4	ALS/BATTERY COMPARTMENT	19 3/8"	15 1/2"	18 1/4"
-	---	---	---	---

NO.	PART NUMBER	NO.	PARTNUMBER
4	71-A10910	-	---
SE	71-116128	-	---

NO.	PART NUMBER	NO.	PARTNUMBER
4	41-101372	-	---
-	---	-	---

CHEVY G-3500-GAS 139" W.B.  
 146" RP90-ES TYPE III


CURB SIDE EXTERIOR

DESCRIPTION:		
DRAWN BY: I.STANSBURY	DATE CREATED: 8/30/2023	SCALE: 5/16"=1'
REVISED BY: I.STANSBURY	DATE REVISED: 9/7/2023	REVISION: A

Note: Drawings are for reference only, measurements may vary from actual product.

**COMPARTMENT / ENTRY DOOR SIZES**

NO.	COMPARTMENT / ENTRY DOOR TYPE	WIDTH	HEIGHT
4	ALS/BATTERY COMPARTMENT DOOR	18"	58 1/6"
SE	SIDE ENTRY DOOR	29 3/4"	69 1/6"
-	---	---	---



**MEDIX**  
 SPECIALTY VEHICLES, INC.

3008 MOBILE DRIVE  
 ELKHART, IN 46514  
 PH: 574-266-0911  
 FAX: 574-266-6669

"LET US SHOW YOU THE MEDIX DIFFERENCE"  
 WWW.MEDIXAMBULANCE.COM

Dealer: GORMAN

Approved By:

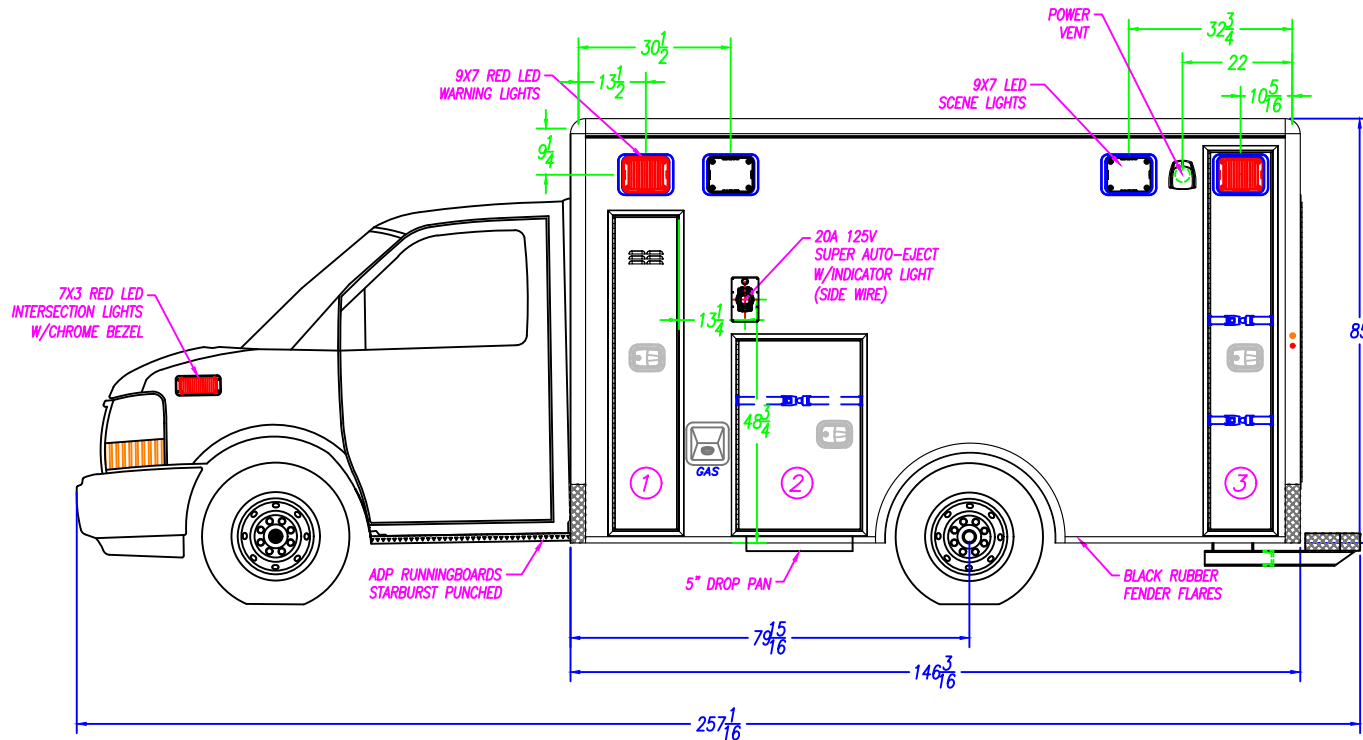
Date:

Customer:

23-91192-93

Sheet  
**B**

ALL COMPARTMENT & ENTRY DOORS TO HAVE POWER LOCKS, WIRE TO OEM  
 ALL WARNING, SCENE, AND TAIL LIGHTS TO HAVE CHROME BEZELS  
 ALL GREEN DIMENSIONS ARE TAKEN FROM EDGE OF WALL  
 SURFACE PRIOR TO CORNER CAP BEING APPLIED



**COMPARTMENT SIZES**

NOTE: THE DIMENSIONS BELOW ARE OVERALL INTERIOR SIZES FOR EACH SPECIFIED COMPARTMENT TUB

NO.	COMPARTMENT TYPE	WIDTH	HEIGHT	DEPTH
1	O2 COMPARTMENT	13 7/8"	63 7/8"	13 1/2"
2	MID STORAGE COMPARTMENT	25 7/8"	39 1/8"	13 1/2"
3	BACKBOARD STORAGE COMPARTMENT	13 5/8"	76 7/8"	17 1/2"

**COMPARTMENT & ENTRY DOORS**

NO.	PART NUMBER	NO.	PARTNUMBER
1	71-A10901	-	---
2	7-A10902	-	---
3	71-A10904	-	---

**COMPARTMENT TUBS**

NO.	PART NUMBER	NO.	PARTNUMBER
1	41-101222	-	---
2	41-101223	-	---
3	41-103020	-	---

CHEVY G-3500-GAS 139" W.B.  
 146" RP90-ES TYPE III

STREET SIDE EXTERIOR

DRAWN BY: I.STANSBURY	DATE CREATED: 8/30/2023	SCALE: 5/16"=1'
REVISED BY: I.STANSBURY	DATE REVISED: 9/7/2023	REVISION: A

Note: Drawings are for reference only, measurements may vary from actual product.

**COMPARTMENT / ENTRY DOOR SIZES**

NO.	COMPARTMENT / ENTRY DOOR TYPE	WIDTH	HEIGHT
1	O2 COMPARTMENT DOOR	12 3/8"	62 5/8"
2	MID STORAGE COMPARTMENT DOOR	24 9/16"	37 7/8"
3	BACKBOARD STORAGE COMPARTMENT DOOR	12 3/8"	75 5/8"

**MEDIX** 3008 MOBILE DRIVE  
 ELKHART, IN 46514  
 PH: 574-266-0911  
 SPECIALTY VEHICLES, INC. FAX: 574-266-6669  
 "LET US SHOW YOU THE MEDIX DIFFERENCE"  
 WWW.MEDIXAMBULANCE.COM

Dealer: GORMAN

Approved By:

Date:

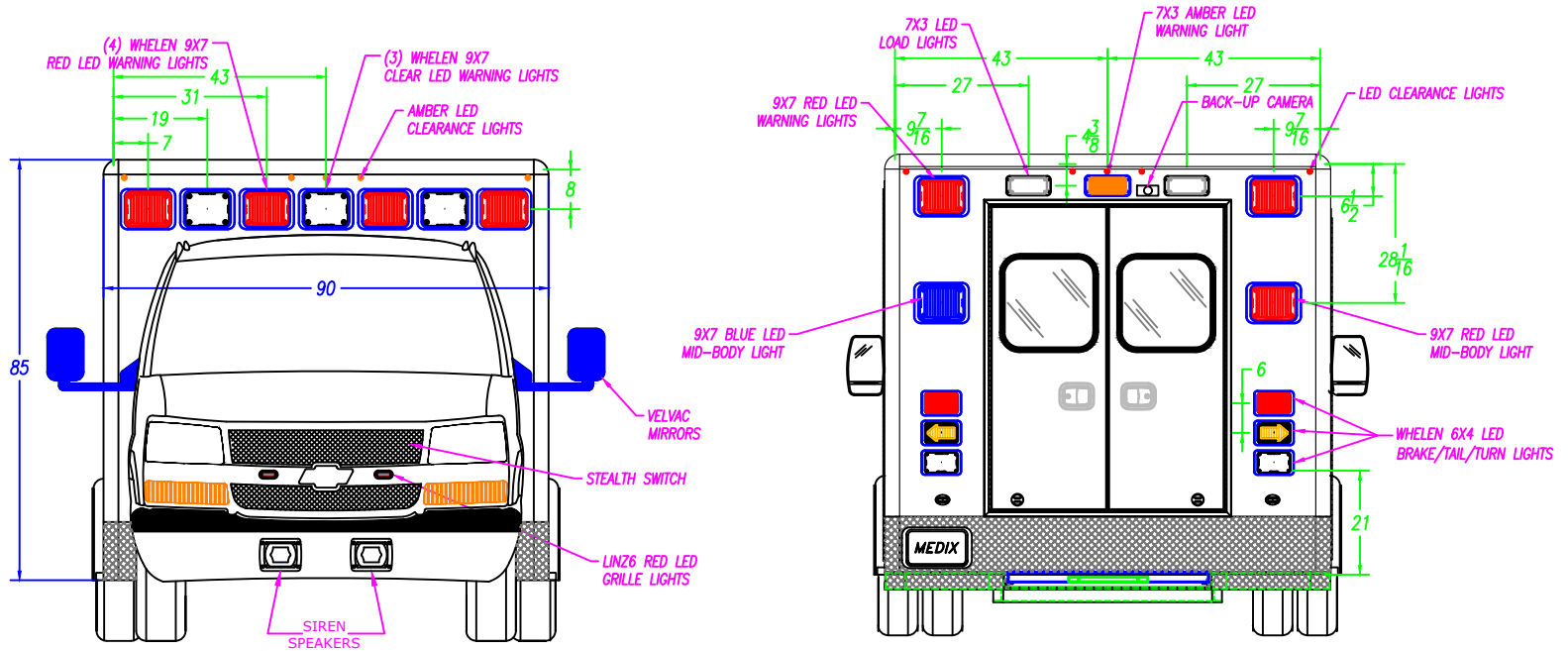
Customer:

23-91192-93

Sheet

C

ALL COMPARTMENT & ENTRY DOORS TO HAVE POWER LOCKS, WIRE TO OEM  
ALL WARNING, SCENE, AND TAIL LIGHTS TO HAVE CHROME BEZELS  
ALL GREEN DIMENSIONS ARE TAKEN FROM EDGE OF WALL  
SURFACE PRIOR TO CORNER CAP BEING APPLIED



REAR ENTRY DOOR SIZES

CHEVY G-3500-GAS 139" W.B.  
146" RP90-ES TYPE III

NO.	WIDTH	HEIGHT	PART NUMBER
RE	50"	64 1/8"	71-116130
			-

DESCRIPTION: FRONT & REAR EXTERIOR		
DRAWN BY: I. STANSBURY	DATE CREATED: 8/30/2023	SCALE: 5/16"=1'
REVISED BY: I. STANSBURY	DATE REVISED: 9/7/2023	REVISION: A
Note: Drawings are for reference only, measurements may vary from actual product.		

**MEDIX** 3008 MOBILE DRIVE  
ELKHART, IN 46514  
PH: 574-266-0911  
SPECIALTY VEHICLES, INC. FAX: 574-266-6669  
"LET US SHOW YOU THE MEDIX DIFFERENCE"  
WWW.MEDIXAMBULANCE.COM

Dealer: GORMAN

Approved By:

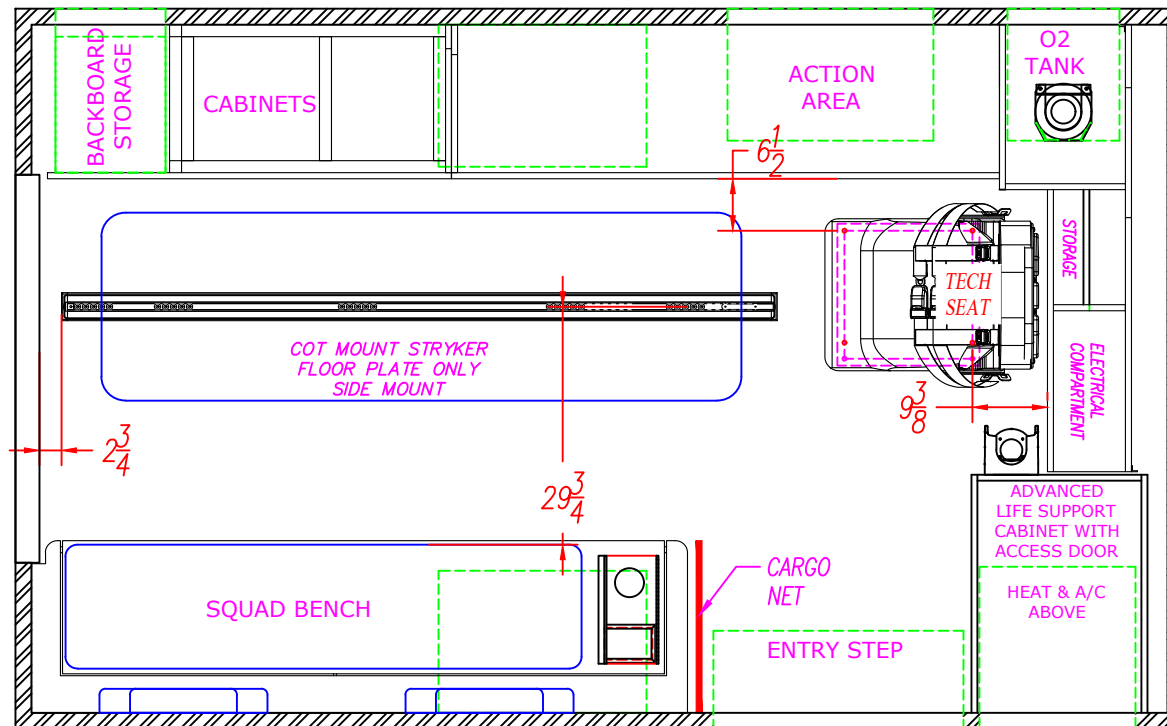
Date:

Customer:

23-91192-93

Sheet

D



CHEVY G-3500-GAS 139" W.B.  
146" RP90-ES TYPE III

DESCRIPTION:

PATIENT AREA PLAN-CPR

DRAWN BY:  
I.STANSBURY

DATE CREATED:  
8/30/2023

SCALE:  
1/2"=1'

REVISED BY:  
I.STANSBURY

DATE REVISED:  
9/7/2023

REVISION:  
A

Note: Drawings are for reference only, measurements may vary from actual product.



3008 MOBILE DRIVE  
ELKHART, IN 46514  
PH: 574-266-0911  
FAX: 574-266-6669

"LET US SHOW YOU THE MEDIX DIFFERENCE"  
WWW.MEDIXAMBULANCE.COM

Dealer: GORMAN

Approved By:

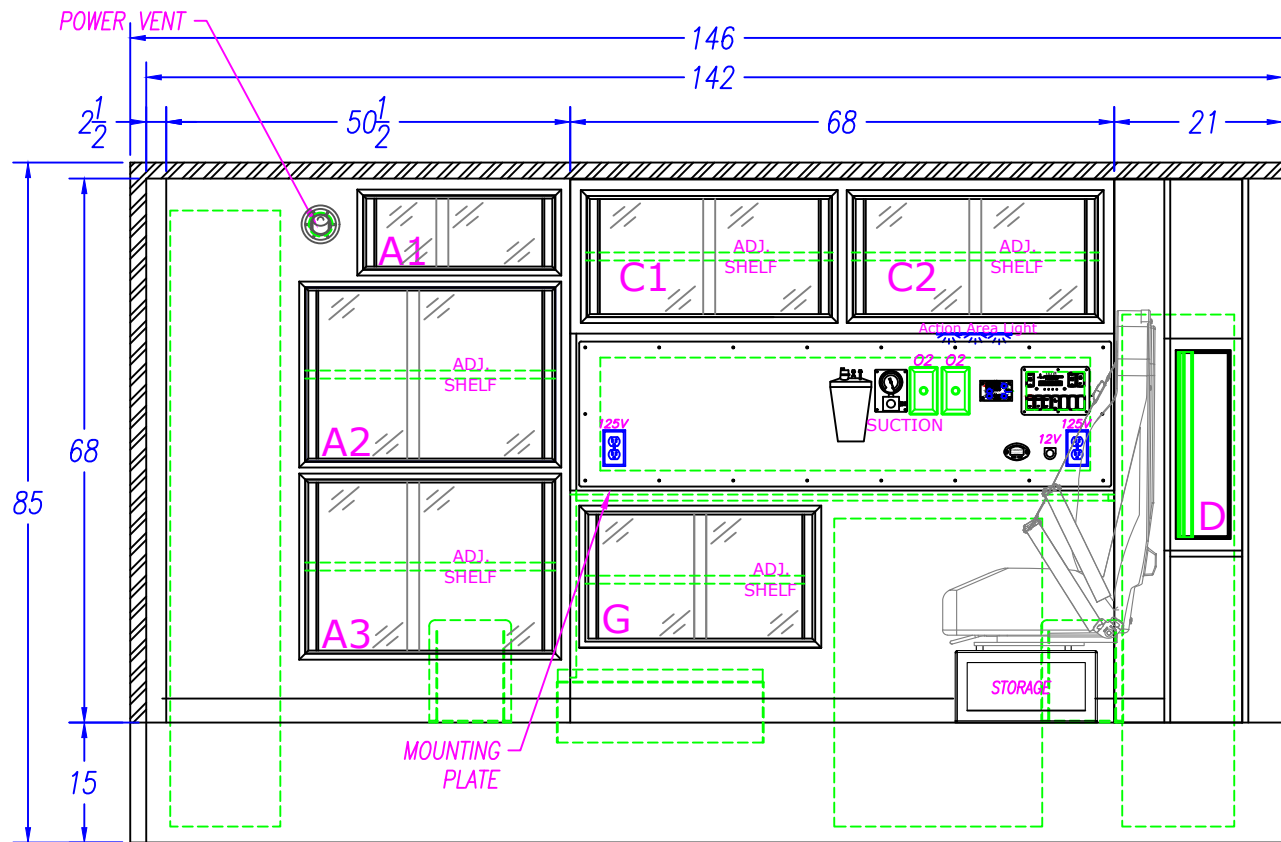
Date:

Customer:

23-91192-93

Sheet

E



INTERIOR CABINET STORAGE


ITEM	HEIGHT	WIDTH	DEPTH	SPECIAL NOTE
A1	9 3/4"	19 3/4"	15"	
A2-3	21 3/4"	27"	15"	
C	16 1/4"	32 3/4"	15"	
D	23 1/2"	6 3/4"	16 1/4"	

CHEVY G-3500-GAS 139" W.B.  
146" RP90-ES TYPE III

STREET SIDE INTERIOR-CPR

DESCRIPTION:		
DRAWN BY: I.STANSBURY	DATE CREATED: 8/30/2023	SCALE: 1/2"=1'
REVISED BY: I.STANSBURY	DATE REVISED: 9/7/2023	REVISION: A

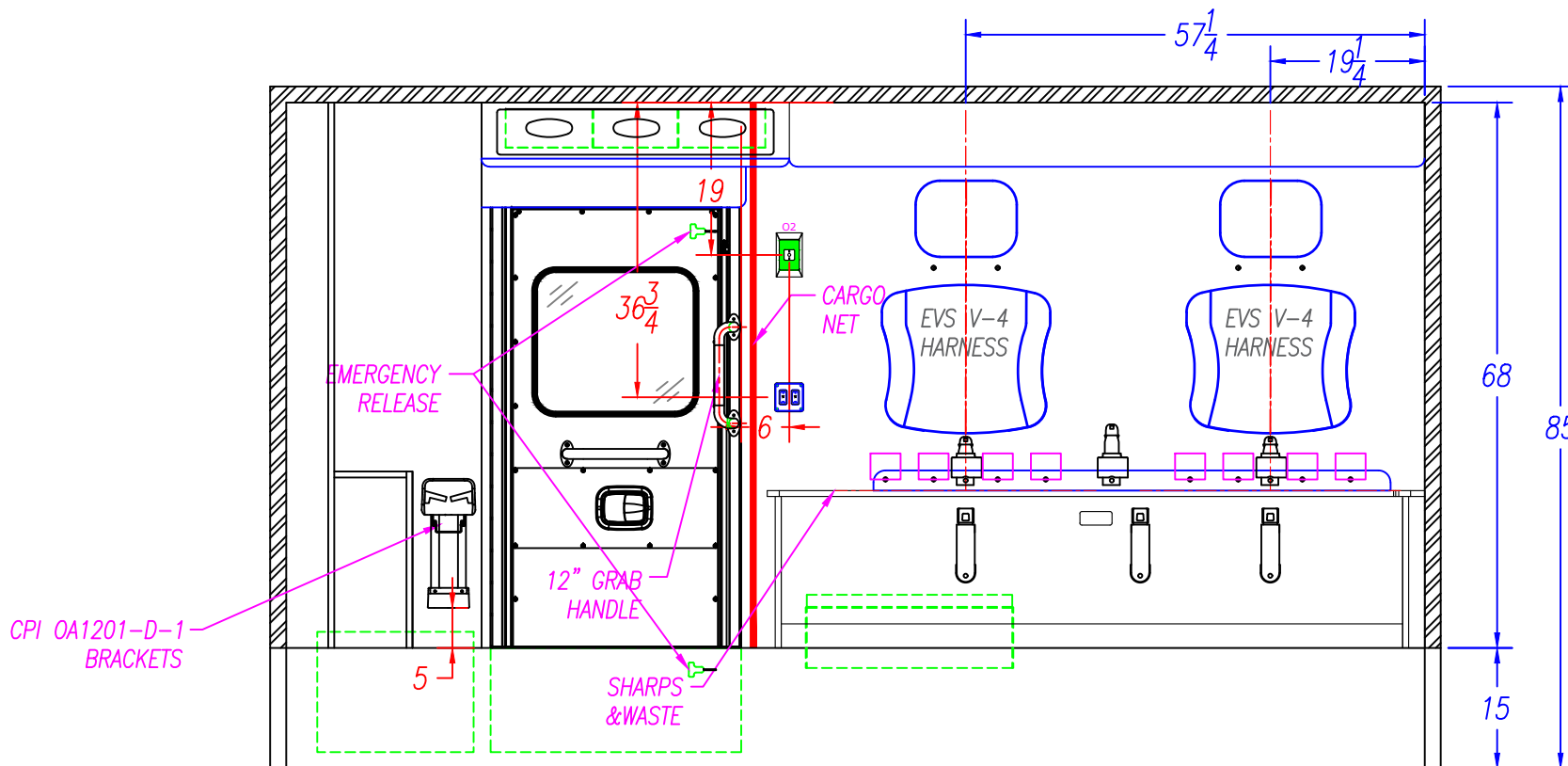
Note: Drawings are for reference only, measurements may vary from actual product.



**MEDIX**  
SPECIALTY VEHICLES, INC.

3008 MOBILE DRIVE  
ELKHART, IN 46514  
PH: 574-266-0911  
FAX: 574-266-6669

"LET US SHOW YOU THE MEDIX DIFFERENCE"  
WWW.MEDIXAMBULANCE.COM



### 4" SEATBELT PLATE LOCATION

<b>WELD SHOP</b>	30	<b>INCHES</b>	NOTE: THIS DIMENSION IS FROM THE BOTTOM OF THE WALL TO THE BOTTOM OF THE 4" PLATE.					
<b>CABINET SHOP</b>	NOTE: THE HOLES FOR THE TOP SEATBELT BOLTS ARE 1 1/4" FROM THE TOP OF THE SQUAD BENCH TO THE CENTER OF THE SEATBELT BOLT. NOTE: THE HOLES FOR THE BOTTOM SEATBELT BOLTS ON THE SQUAD BENCH ARE 9 3/8" FROM THE TOP OF THE FLOOR TO THE CENTER OF THE BOLT.							
NOTE: READ THE DIMENSIONS FROM RIGHT TO LEFT AS VIEWED	THE LOCATION OF THE BOTTOM SEATBELT HOLES ARE FROM THE REAR OF THE SQUAD BENCH TO THE CENTER OF THE 1/2" HOLE	<b>BOTTOM</b>			57 1/4"	35 1/4"	19 1/4"	
	THE LOCATION OF THE TOP SEATBELT HOLES ARE FROM THE REAR WALL TO THE CENTER OF THE 1/2" HOLE	<b>TOP</b>			57 1/4"	39"	19 1/4"	

INTERIOR CABINET STORAGE				
ITEM	HEIGHT	WIDTH	DEPTH	SPECIAL NOTE
A				
B				
C				
D				
E				
F				

CHEVY G-3500-GAS 139" W.B. 146" RP90-ES TYPE III		
DESCRIPTION: CURB SIDE INTERIOR		
DRAWN BY: I. STANSBURY	DATE CREATED: 8/30/2023	SCALE: 1/2"=1'
REVISED BY: I. STANSBURY	DATE REVISED: 9/7/2023	REVISION: A
Note: Drawings are for reference only, measurements may vary from actual product.		



**MEDIX**  
SPECIALTY VEHICLES, INC.

3008 MOBILE DRIVE  
ELKHART, IN 46514  
PH: 574-266-0911  
FAX: 574-266-6669

"LET US SHOW YOU THE MEDIX DIFFERENCE"  
WWW.MEDIXAMBULANCE.COM

Dealer: GORMAN

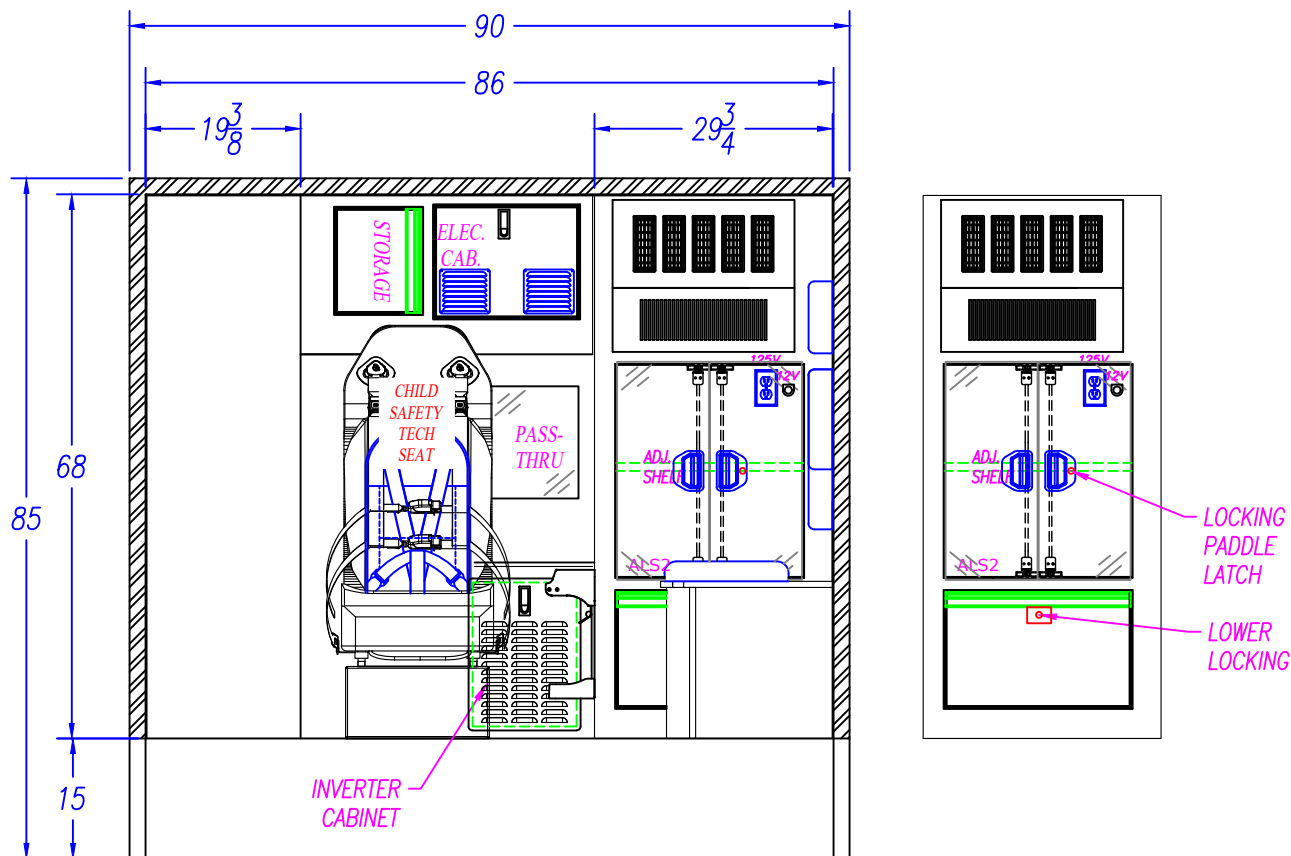
Approved By:

Date:

Customer:

23-91192-93

Sheet  
**G**



INTERIOR CABINET STORAGE

ITEM	HEIGHT	WIDTH	DEPTH	SPECIAL NOTE
ALS-1	14 3/4"	23 1/2"	20 1/2"	
ALS-2	26 1/8"	23 1/2"	20 1/2"	

CHEVY G-3500-GAS 139" W.B.  
146" RP90-ES TYPE III

FRONT ELEVATION

DESCRIPTION:		
DRAWN BY: I. STANSBURY	DATE CREATED: 8/30/2023	SCALE: 1/2"=1'
REVISED BY: I. STANSBURY	DATE REVISED: 9/7/2023	REVISION: A

Note: Drawings are for reference only, measurements may vary from actual product.



3008 MOBILE DRIVE  
ELKHART, IN 46514  
PH: 574-266-0911  
FAX: 574-266-6669

"LET US SHOW YOU THE MEDIX DIFFERENCE"  
WWW.MEDIXAMBULANCE.COM

Dealer: GORMAN

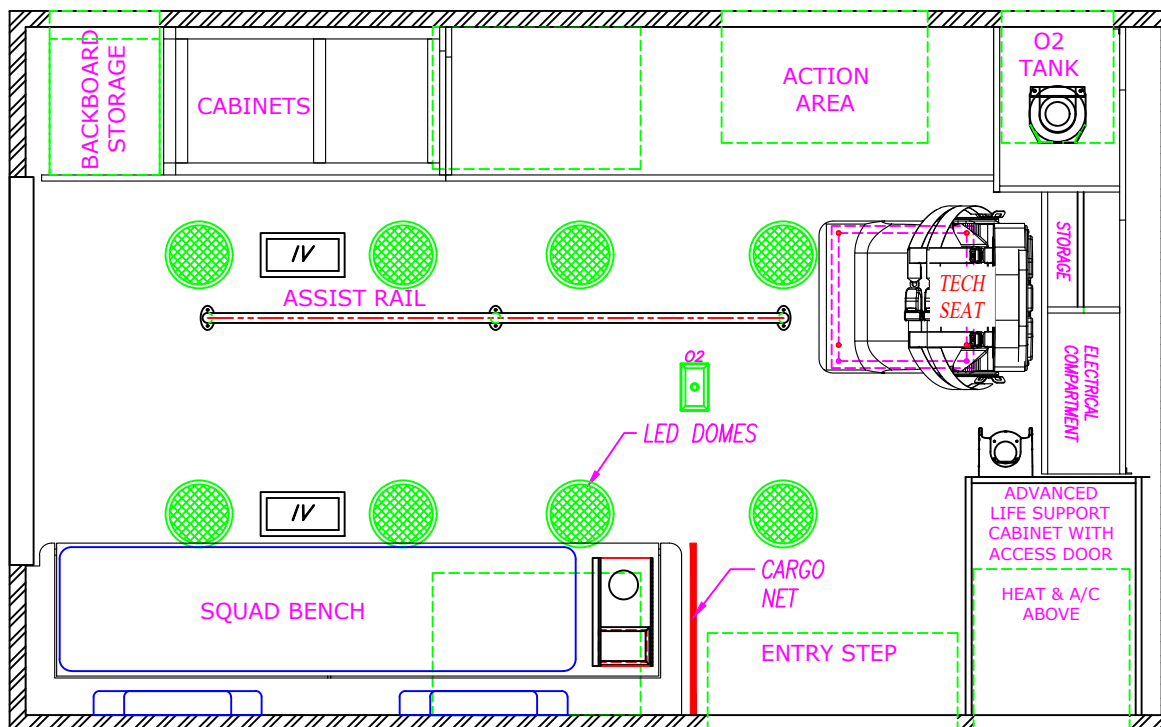
Approved By:

Date:

Customer:

23-91192-93

Sheet  
**H**



CHEVY G-3500-GAS 139" W.B.  
146" RP90-ES TYPE III

CEILING LAYOUT-CPR

DESCRIPTION:		
DRAWN BY:	DATE CREATED:	SCALE:
I.STANSBURY	8/30/2023	1/2"=1'
REVISED BY:	DATE REVISED:	REVISION:
I.STANSBURY	9/7/2023	A

Note: Drawings are for reference only, measurements may vary from actual product.



**MEDIX** 3008 MOBILE DRIVE  
ELKHART, IN 46514  
PH: 574-266-0911  
SPECIALTY VEHICLES, INC. FAX: 574-266-6669

"LET US SHOW YOU THE MEDIX DIFFERENCE"  
WWW.MEDIXAMBULANCE.COM



Dealer: GORMAN

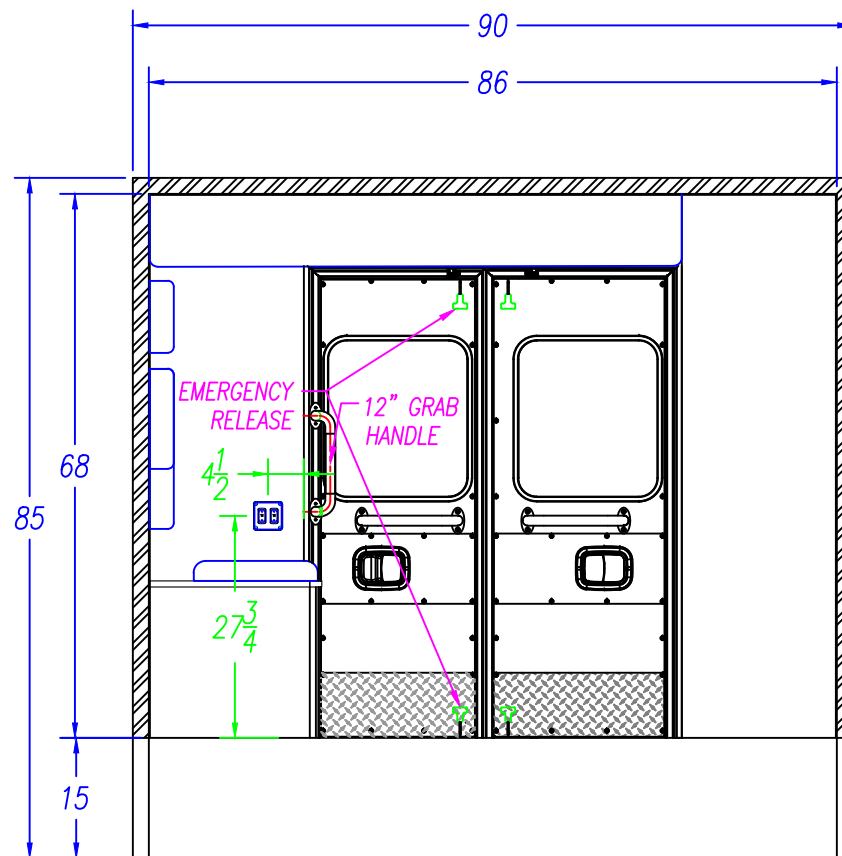
Approved By:

Date:

Customer:

23-91192-93

Sheet



CHEVY G-3500-GAS 139" W.B.  
146" RP90-ES TYPE III

REAR ELEVATION

DRAWN BY: I. STANSBURY	DATE CREATED: 8/30/2023	SCALE: 1/2"=1'
REVISED BY: I. STANSBURY	DATE REVISED: 9/7/2023	REVISION: A

Note: Drawings are for reference only, measurements may vary from actual product.

 3008 MOBILE DRIVE  
ELKHART, IN 46514  
PH: 574-266-0911  
SPECIALTY VEHICLES, INC. FAX: 574-266-6669

"LET US SHOW YOU THE MEDIX DIFFERENCE"  
WWW.MEDIXAMBULANCE.COM

Dealer: GORMAN

Approved By:

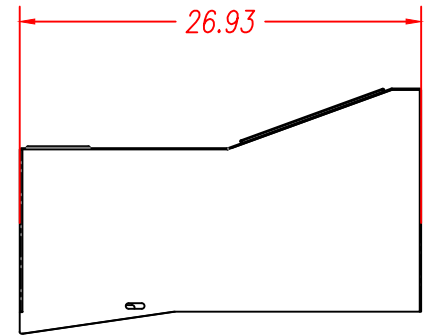
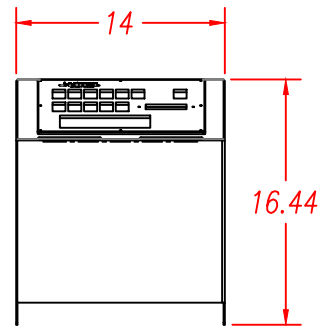
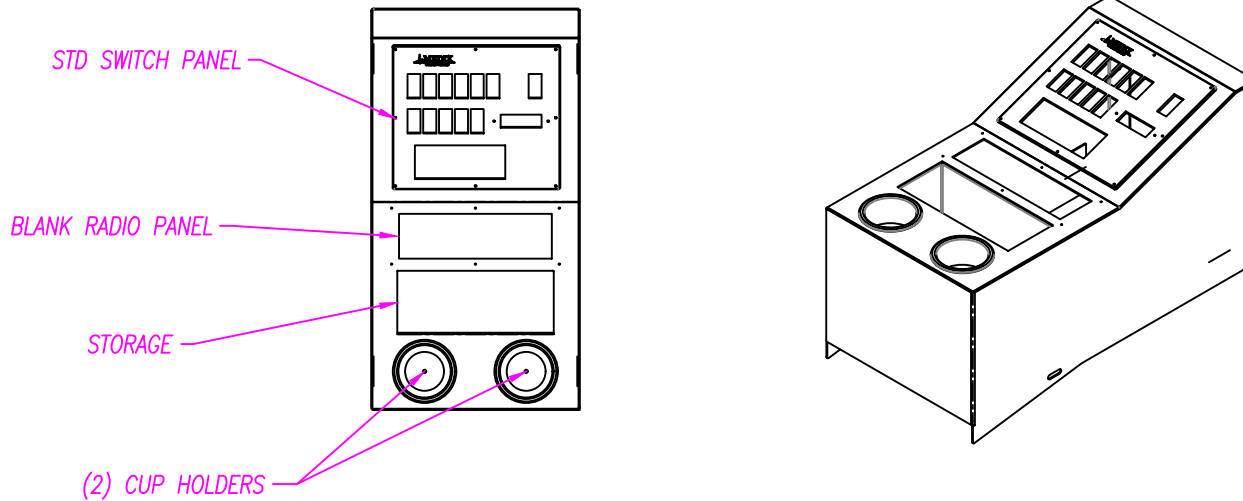
Date:

Customer:

23-91192-93

Sheet

J



CHEVY G-3500-GAS 139" W.B.  
146" RP90-ES TYPE III

FRONT CONSOLE

DESCRIPTION:		
DRAWN BY:	DATE CREATED:	SCALE:
I.STANSBURY	8/30/2023	1/2"=1'
REVISED BY:	DATE REVISED:	REVISION:
I.STANSBURY	9/7/2023	A

Note: Drawings are for reference only, measurements may vary from actual product.



3008 MOBILE DRIVE  
ELKHART, IN 46514  
PH: 574-266-0911  
FAX: 574-266-6669

"LET US SHOW YOU THE MEDIX DIFFERENCE"  
WWW.MEDIXAMBULANCE.COM