

Dealer: GORMAN

Approved By:

Date:

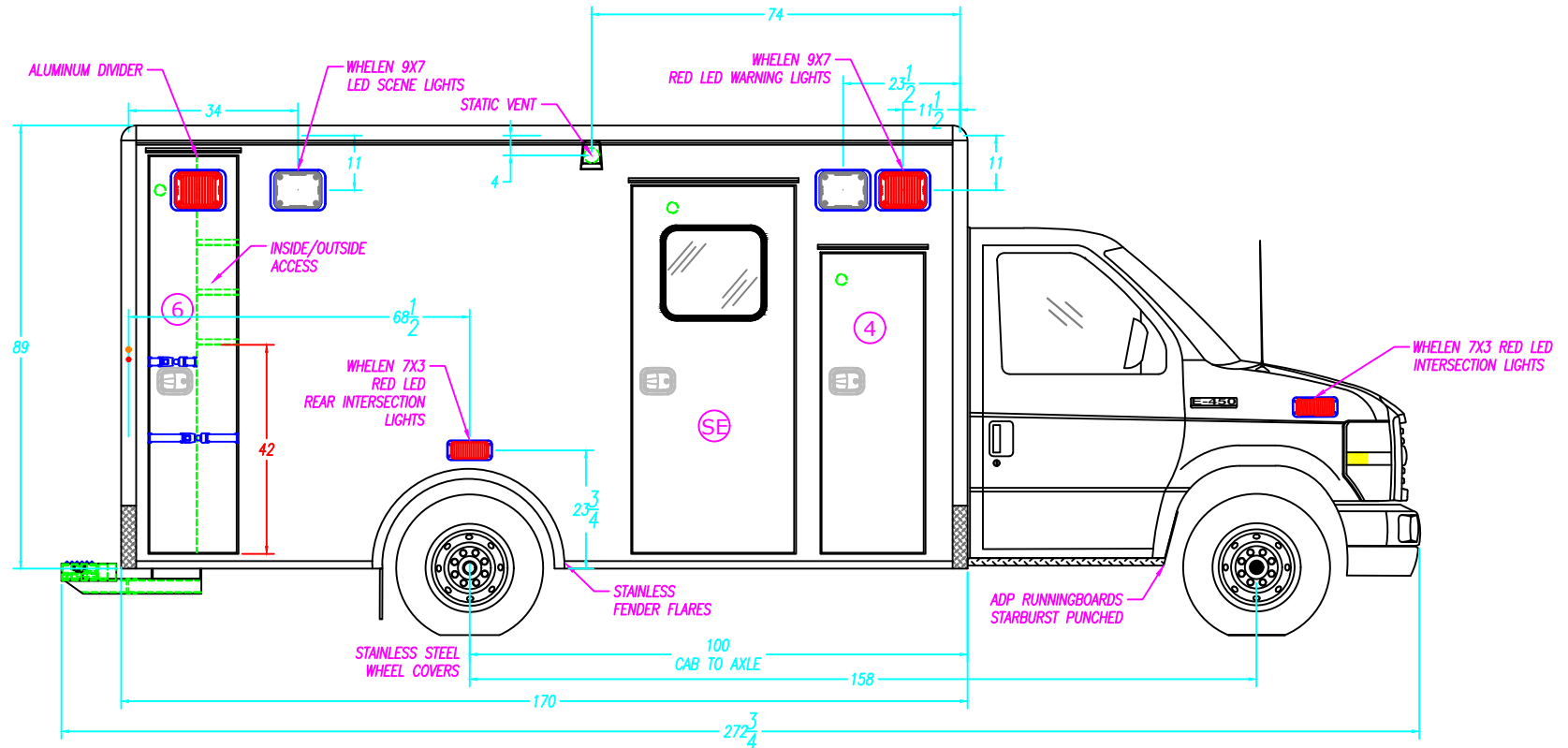
Customer:

DEMO

23-M462-63

Sheet
A

ALL WARNING, SCENE, AND TAIL LIGHTS TO HAVE CHROME BEZELS.
ALL COMPARTMENT/ENTRY DOORS TO HAVE POWER LOCKS
WIRE TO OEM



COMPARTMENT SIZES

NOTE: THE DIMENSIONS BELOW ARE INSIDE TUB DIMENSIONS

NO.	COMPARTMENT TYPE	WIDTH	HEIGHT	DEPTH
4	ALS COMPARTMENT	---	---	---
5	BATTERY COMPARTMENT	20 1/2"	14 1/2"	23 7/8"
6	BACK BOARD COMPARTMENT	20"	79 1/2"	22"

COMPARTMENT & ENTRY DOORS

NO.	PART NUMBER	NO.	PART NUMBER
4	33-A10783	6	33-A10784
SE	78-116133	-	---

COMPARTMENT TUBS

NO.	PART NUMBER	NO.	PART NUMBER
5	33-100692	-	---
6	33-103025	-	---
SE	33-100738	-	---

COMPARTMENT / ENTRY DOOR SIZES

NO.	COMPARTMENT / ENTRY DOOR TYPE	WIDTH	HEIGHT
4	ALS DOOR	20 1/2"	60 1/16"
5	BATTERY STORAGE DOOR	---	---
SE	SIDE ENTRY DOOR	32 1/2"	73 3/16"
6	BACK BOARD STORAGE DOOR	17 1/2"	79 3/16"

M2 170" TYPE III
FORD E-450 158" WHEELBASE

DESCRIPTION: CURB SIDE EXTERIOR

DRAWN BY: I.STANSBURY	DATE CREATED: 1/5/2024	SCALE: 5/16"=1'
REVISED BY: I.STANSBURY	DATE REVISED: 5/8/2024	REVISION: C

Note: Drawings are for reference only, measurements may vary from actual product.



**3008 MOBILE DRIVE
ELKHART, IN 46514
PH: 574-266-0911
FAX: 574-266-6669**

SPECIALTY VEHICLES, INC.

"LET US SHOW YOU THE MEDIX DIFFERENCE"
WWW.MEDIXAMBULANCE.COM

Dealer: GORMAN

Approved By:

Date:

Customer:

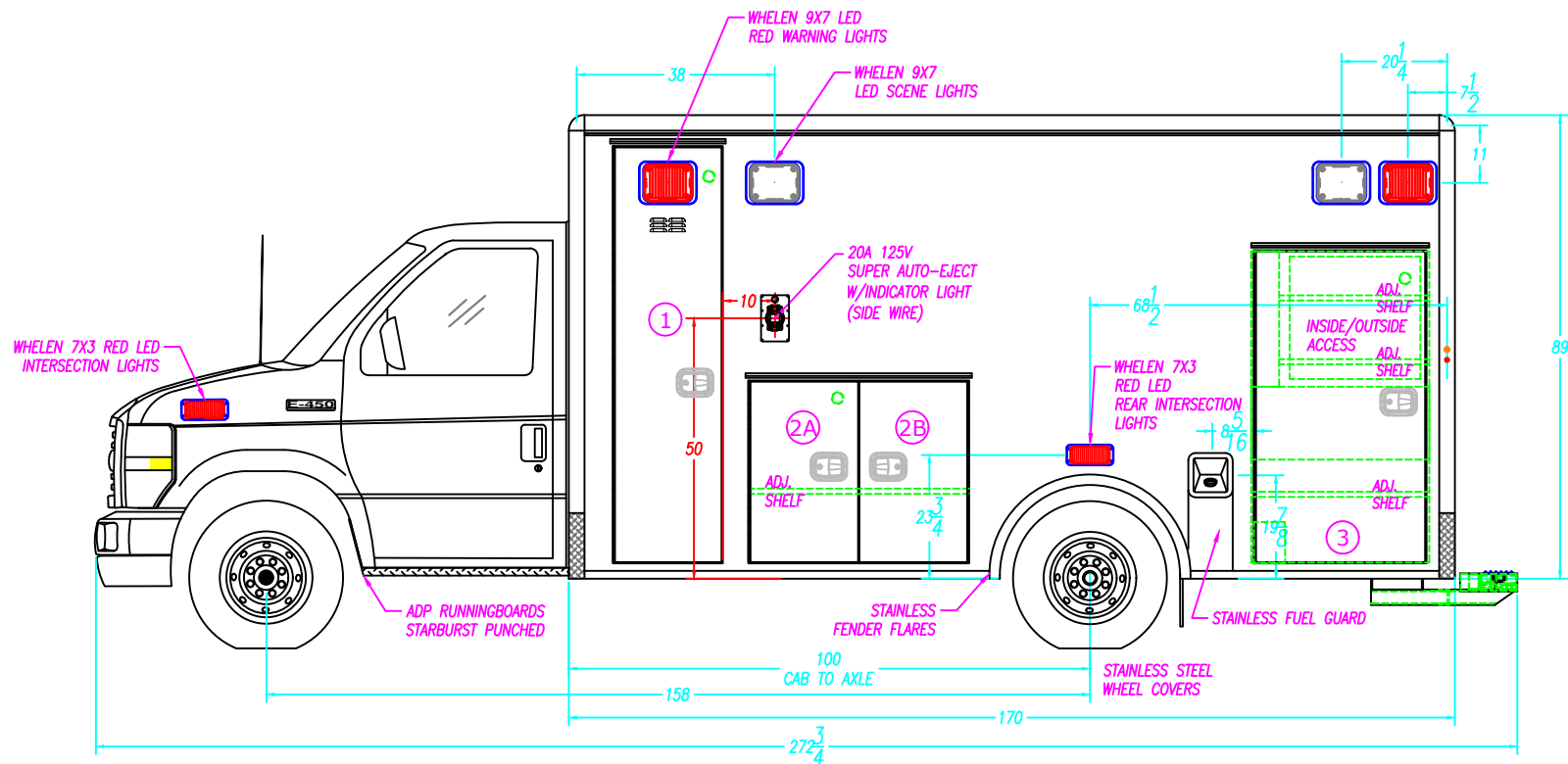
DEMO

23-M462-63

Sheet

B

ALL WARNING, SCENE, AND TAIL LIGHTS TO HAVE CHROME BEZELS.
ALL COMPARTMENT/ENTRY DOORS TO HAVE POWER LOCKS
WIRE TO OEM



COMPARTMENT SIZES

NOTE: THE DIMENSIONS BELOW ARE INSIDE TUB DIMENSIONS

NO.	COMPARTMENT TYPE	WIDTH	HEIGHT	DEPTH
1	O2 COMPARTMENT	20 1/2"	79 1/2"	18 1/2"
2	MID STORAGE COMPARTMENT	41 3/4"	34 1/2"	18 1/2"
3	REAR STORAGE COMPARTMENT	34"	59 1/2"	19 1/4"
---	---	---	---	---

COMPARTMENT & ENTRY DOORS

NO.	PART NUMBER	NO.	PARTNUMBER
1	33-A10780	3	33-A10782
2	33-A10781	-	---
-	-	-	---

COMPARTMENT TUBS

NO.	PART NUMBER	NO.	PARTNUMBER
1	33-100689	-	---
2	33-103079	-	---
3	33-104319	-	---

COMPARTMENT / ENTRY DOOR SIZES

NO.	COMPARTMENT / ENTRY DOOR TYPE	WIDTH	HEIGHT
1	O2 STORAGE DOOR	20 1/2"	79 3/8"
2A	MID STORAGE DOOR-A	20 1/16"	34 3/16"
2B	MID STORAGE DOOR-B	20 1/16"	34 3/16"
3	REAR STORAGE DOOR	32 1/2"	59 3/8"

M2 170" TYPE III
FORD E-450 158" WHEELBASE

DESCRIPTION: STREET SIDE EXTERIOR

DRAWN BY: I.STANSBURY	DATE CREATED: 1/5/2024	SCALE: 5/16"=1'
REVISED BY: I.STANSBURY	DATE REVISED: 5/8/2024	REVISION: C

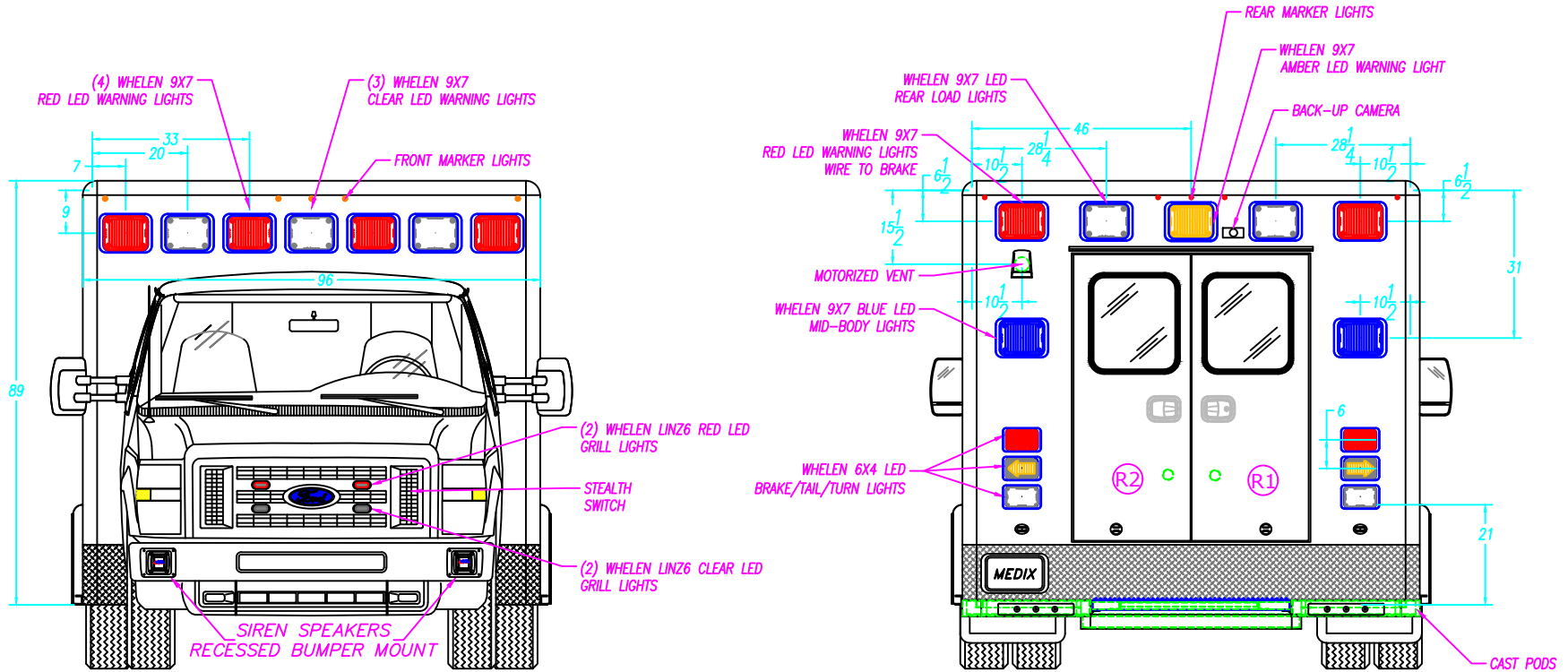
Note: Drawings are for reference only, measurements may vary from actual product.

MEDIX
SPECIALTY VEHICLES, INC.

3008 MOBILE DRIVE
ELKHART, IN 46514
PH: 574-266-0911
FAX: 574-266-6669

"LET US SHOW YOU THE MEDIX DIFFERENCE"
WWW.MEDIXAMBULANCE.COM

ALL WARNING, SCENE, AND TAIL LIGHTS TO HAVE CHROME BEZELS.
ALL COMPARTMENT/ENTRY DOORS TO HAVE POWER LOCKS
WIRE TO OEM



REAR ENTRY DOOR SIZES

NO.	WIDTH	HEIGHT	PART NUMBER
RE	54"	64 1/2"	78-116135

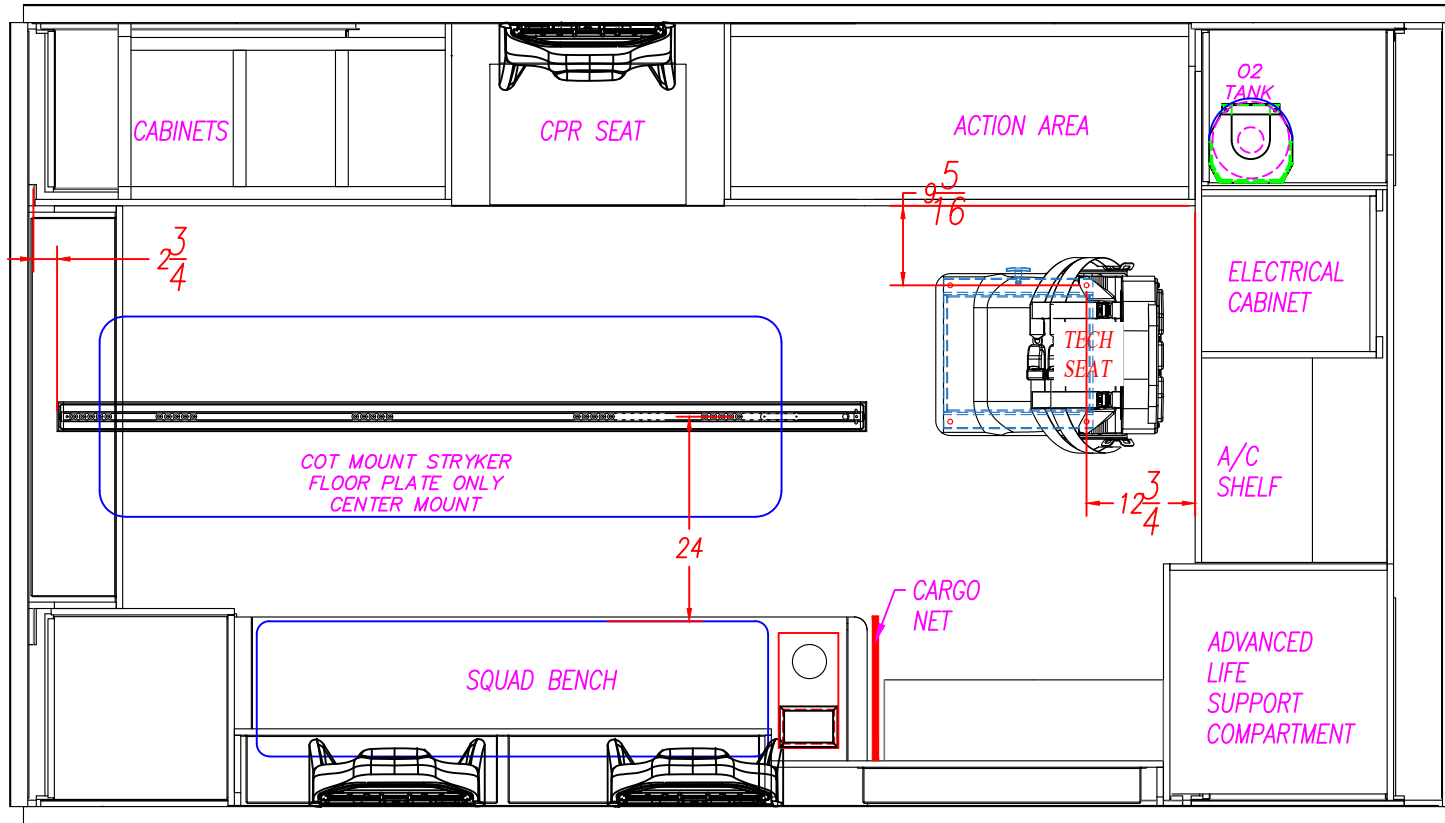
M2 170" TYPE III FORD E-450 158" WHEELBASE		
DESCRIPTION: FRONT & REAR EXTERIOR		
DRAWN BY: I.STANSBURY	DATE CREATED: 1/5/2024	SCALE: 5/16"=1'
REVISED BY: I.STANSBURY	DATE REVISED: 5/8/2024	REVISION: C
Note: Drawings are for reference only, measurements may vary from actual product.		



MEDIX
SPECIALTY VEHICLES, INC.

3008 MOBILE DRIVE
ELKHART, IN 46514
PH: 574-266-0911
FAX: 574-266-6669

"LET US SHOW YOU THE MEDIX DIFFERENCE"
WWW.MEDIXAMBULANCE.COM



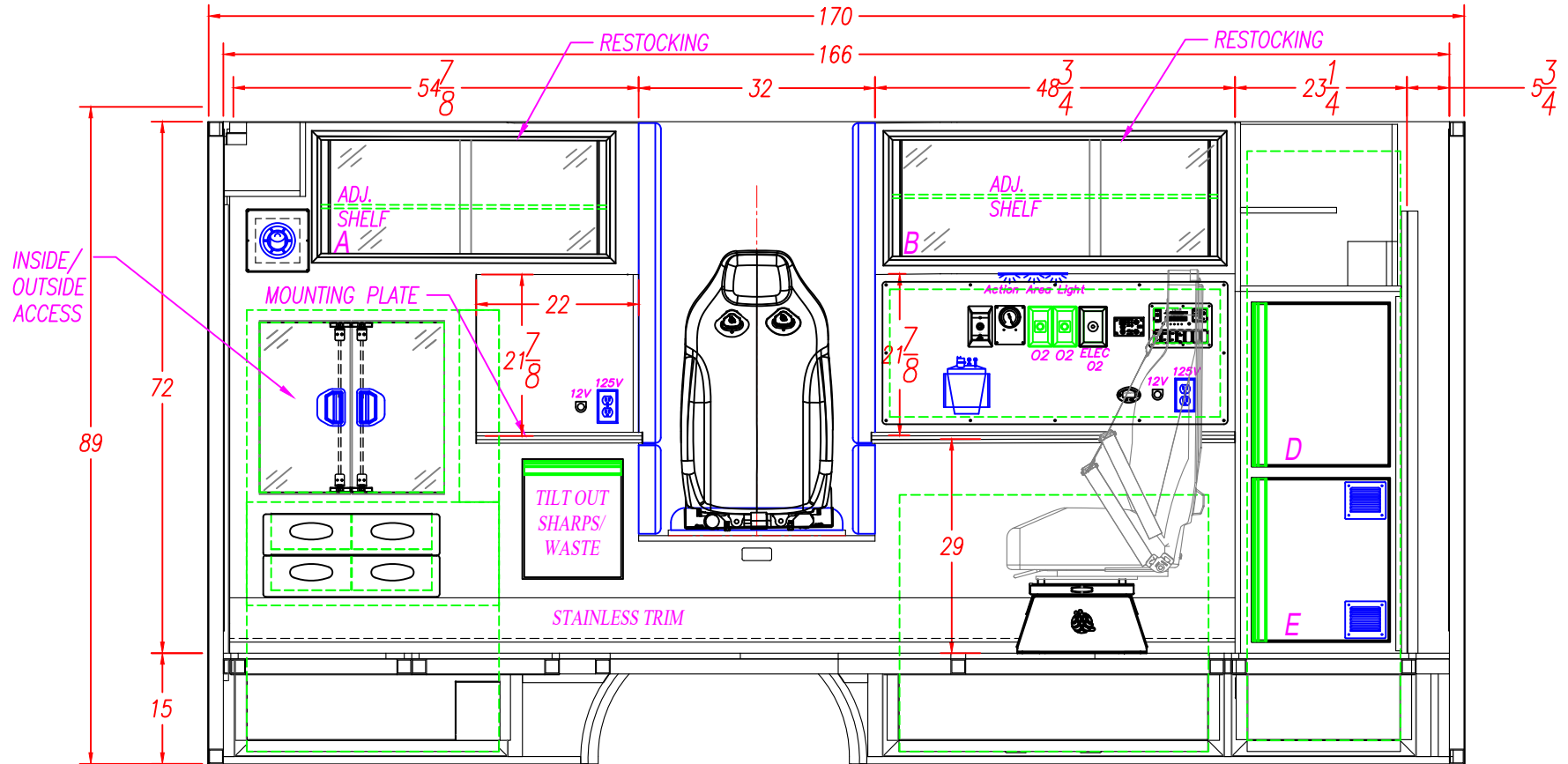
M2 170" TYPE III FORD E-450 158" WHEELBASE		
DESCRIPTION: PATIENT AREA PLAN		
DRAWN BY: I. STANSBURY	DATE CREATED: 1/5/2024	SCALE: 1/2"=1'
REVISED BY: I. STANSBURY	DATE REVISED: 5/8/2024	REVISION: C
Note: Drawings are for reference only, measurements may vary from actual product.		

MEDIX
SPECIALTY VEHICLES, INC.

3008 MOBILE DRIVE
ELKHART, IN 46514
PH: 574-266-0911
FAX: 574-266-6669

"LET US SHOW YOU THE MEDIX DIFFERENCE"
WWW.MEDIXAMBULANCE.COM

CORIAN COUNTERTOPS IN 1ST & 2ND ACTION AREA.



INTERIOR CABINET STORAGE

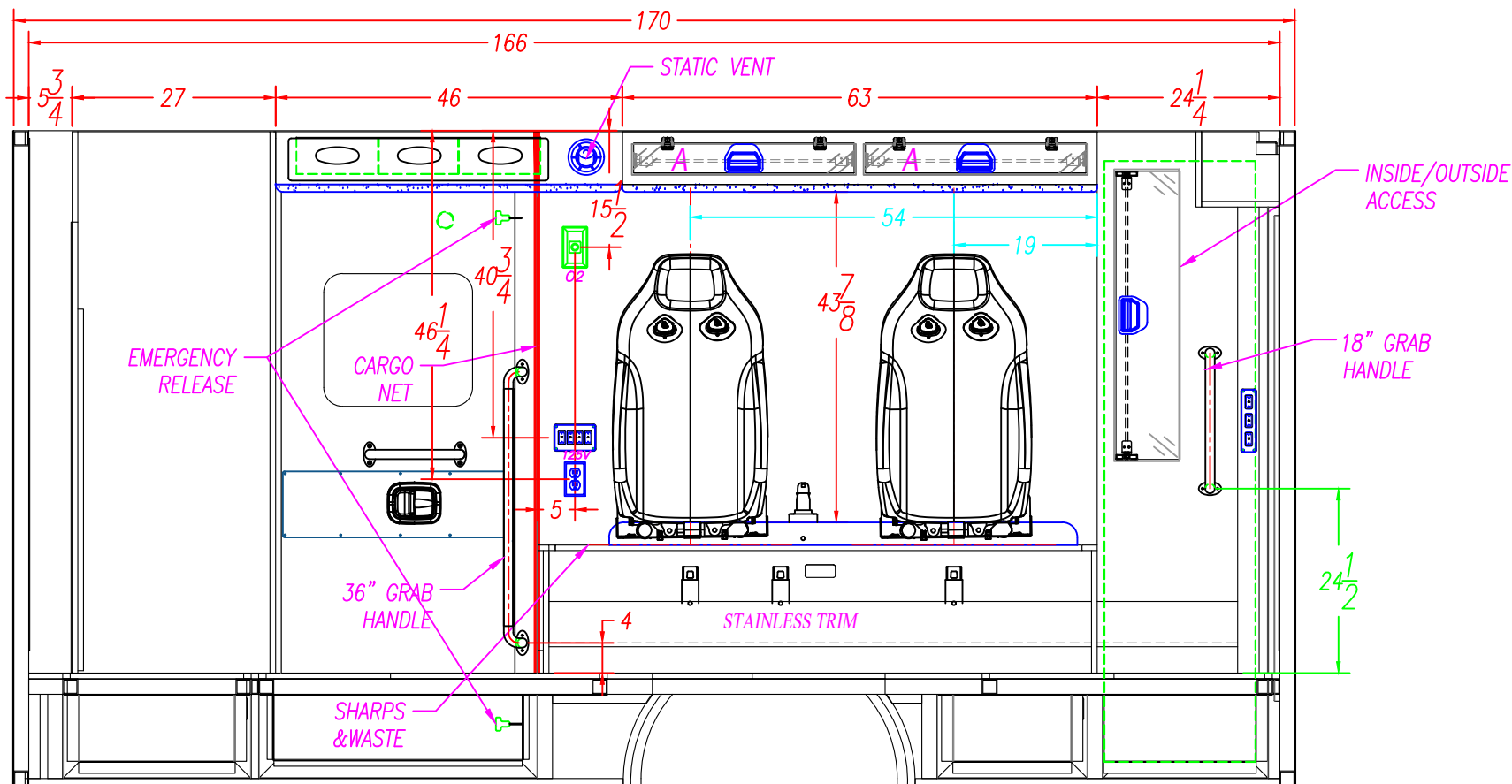
ITEM	HEIGHT	WIDTH	DEPTH	PART #'S
A	17 ³ / ₈ "	40 ³ / ₈ "	17 ⁵ / ₈ "	
B	16 ³ / ₄ "	45 ³ / ₄ "	16 ¹ / ₈ "	
C				
D	22 ¹ / ₄ "	19 ¹ / ₂ "	17 ¹ / ₄ "	-
E	22 ¹ / ₄ "	19 ¹ / ₂ "	17 ¹ / ₄ "	-
F				-

M2 170" TYPE III FORD E-450 158" WHEELBASE		
DESCRIPTION: STREET SIDE INTERIOR		
DRAWN BY: I.STANSBURY	DATE CREATED: 1/5/2024	SCALE: 1/2"=1'
REVISED BY: I.STANSBURY	DATE REVISED: 5/8/2024	REVISION: C
Note: Drawings are for reference only, measurements may vary from actual product.		

MEDIX 3008 MOBILE DRIVE
ELKHART, IN 46514
PH: 574-266-0911
SPECIALTY VEHICLES, INC. FAX: 574-266-6669

"LET US SHOW YOU THE MEDIX DIFFERENCE"
WWW.MEDIXAMBULANCE.COM

CABINET LIGHTS IN BOTH SQD BNCH OVHD CABS



4" SEATBELT PLATE LOCATION	WELD SHOP	33	INCHES	NOTE: THIS DIMENSION IS FROM THE BOTTOM OF THE WALL TO THE BOTTOM OF THE 4" PLATE.					
	CABINET SHOP	NOTE: THE HOLES FOR THE TOP SEATBELT BOLTS ARE 1 1/4" FROM THE TOP OF THE SQUAD BENCH TO THE CENTER OF THE SEATBELT BOLT. NOTE: THE HOLES FOR THE BOTTOM SEATBELT BOLTS ON THE SQUAD BENCH ARE 9 3/8" FROM THE TOP OF THE FLOOR TO THE CENTER OF THE BOLT.							
	NOTE: READ THE DIMENSIONS FROM RIGHT TO LEFT AS VIEWED	THE LOCATION OF THE BOTTOM SEATBELT HOLES ARE FROM THE REAR OF THE SQUAD BENCH TO THE CENTER OF THE 1/2" HOLE	BOTTOM			54"	42"	19"	
	THE LOCATION OF THE TOP SEATBELT HOLES ARE FROM THE REAR WALL TO THE CENTER OF THE 1/2" HOLE	TOP			54"	39"	19"		

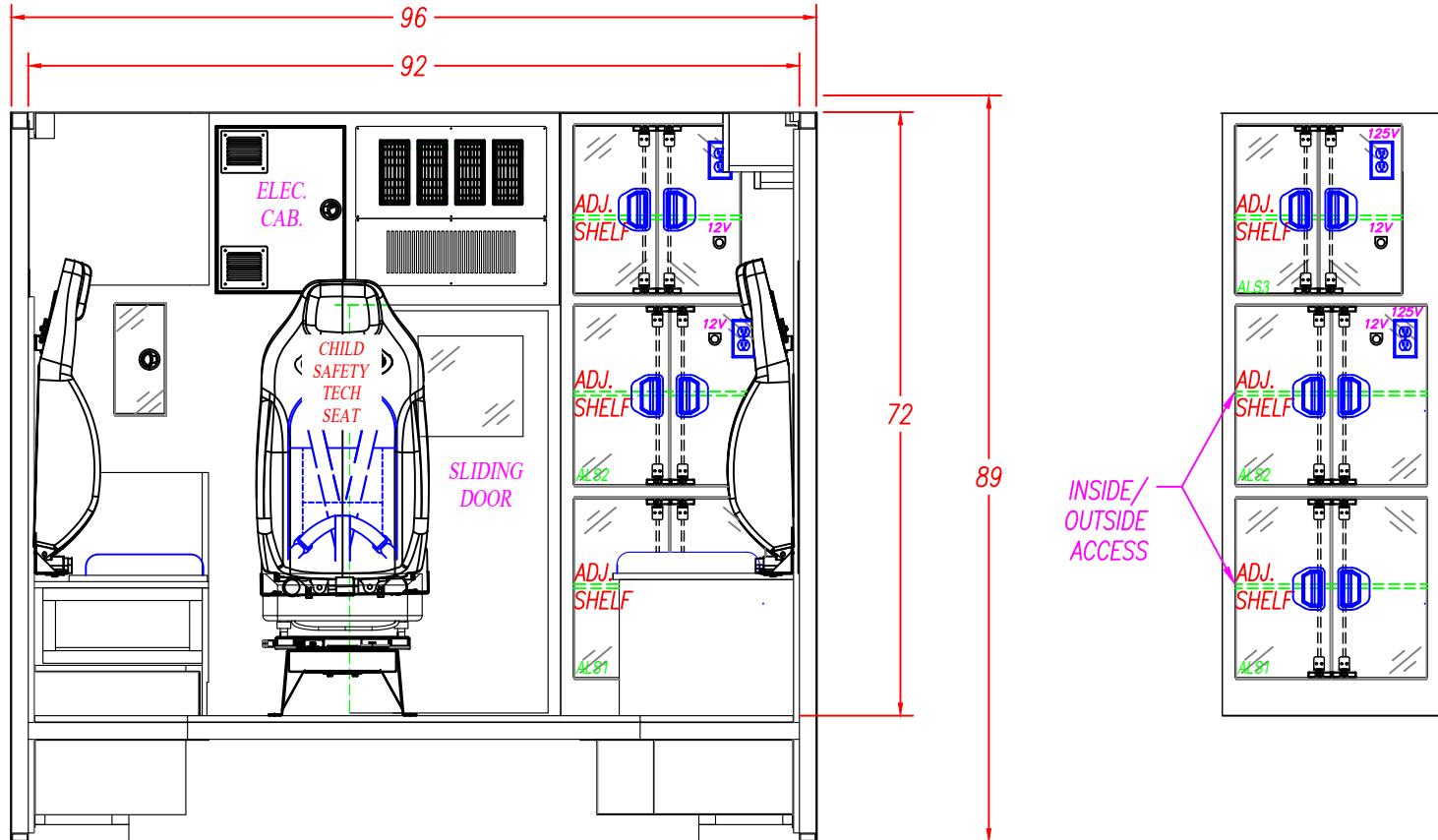
INTERIOR CABINET STORAGE				
ITEM	HEIGHT	WIDTH	DEPTH	SPECIAL NOTE
A	4"	29 1/4"	7"	
B				
C				
D				
E				
F				

M2 170" TYPE III FORD E-450 158" WHEELBASE		
DESCRIPTION: CURB SIDE INTERIOR		
DRAWN BY: I. STANSBURY	DATE CREATED: 1/5/2024	SCALE: 1/2"=1'
REVISED BY: I. STANSBURY	DATE REVISED: 5/8/2024	REVISION: C
Note: Drawings are for reference only, measurements may vary from actual product.		

3008 MOBILE DRIVE
ELKHART, IN 46514
PH: 574-266-0911
FAX: 574-266-6669

"LET US SHOW YOU THE MEDIX DIFFERENCE"
WWW.MEDIXAMBULANCE.COM

CABINET LIGHTS IN: ALS1-3



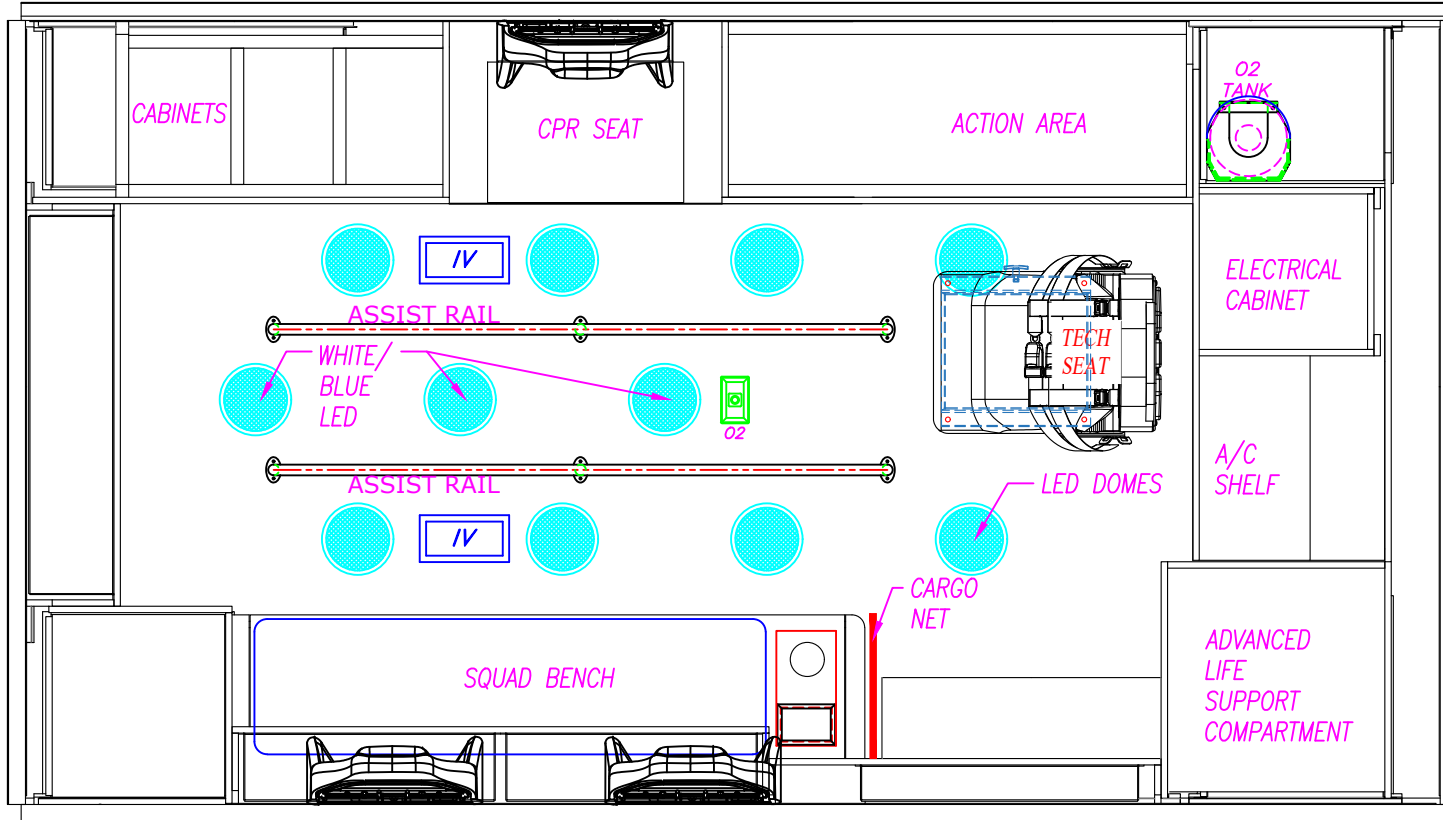
INTERIOR CABINET STORAGE

ITEM	HEIGHT	WIDTH	DEPTH	SPECIAL NOTE
ALS1	21 5/16"	23"	25 1/4"	
ALS2	21 5/16"	23"	25 1/4"	
ALS3	20"	20"	25 1/4"	

M2 170" TYPE III FORD E-450 158" WHEELBASE		
DESCRIPTION: FRONT ELEVATION		
DRAWN BY: I. STANSBURY	DATE CREATED: 1/5/2024	SCALE: 1/2"=1'
REVISED BY: I. STANSBURY	DATE REVISED: 5/8/2024	REVISION: C
Note: Drawings are for reference only, measurements may vary from actual product.		

3008 MOBILE DRIVE
ELKHART, IN 46514
PH: 574-266-0911
FAX: 574-266-6669

"LET US SHOW YOU THE MEDIX DIFFERENCE"
WWW.MEDIXAMBULANCE.COM



M2 170" TYPE III
 FORD E-450 158" WHEELBASE

DESCRIPTION:

CEILING LAYOUT

DRAWN BY: I.STANSBURY	DATE CREATED: 1/5/2024	SCALE: 1/2"=1'
REVISED BY: I.STANSBURY	DATE REVISED: 5/8/2024	REVISION: C

Note: Drawings are for reference only, measurements may vary from actual product.



3008 MOBILE DRIVE
 ELKHART, IN 46514
 PH: 574-266-0911
 FAX: 574-266-6669

"LET US SHOW YOU THE MEDIX DIFFERENCE"
 WWW.MEDIXAMBULANCE.COM

Dealer: GORMAN

Approved By:

Date:

Customer: DEMO

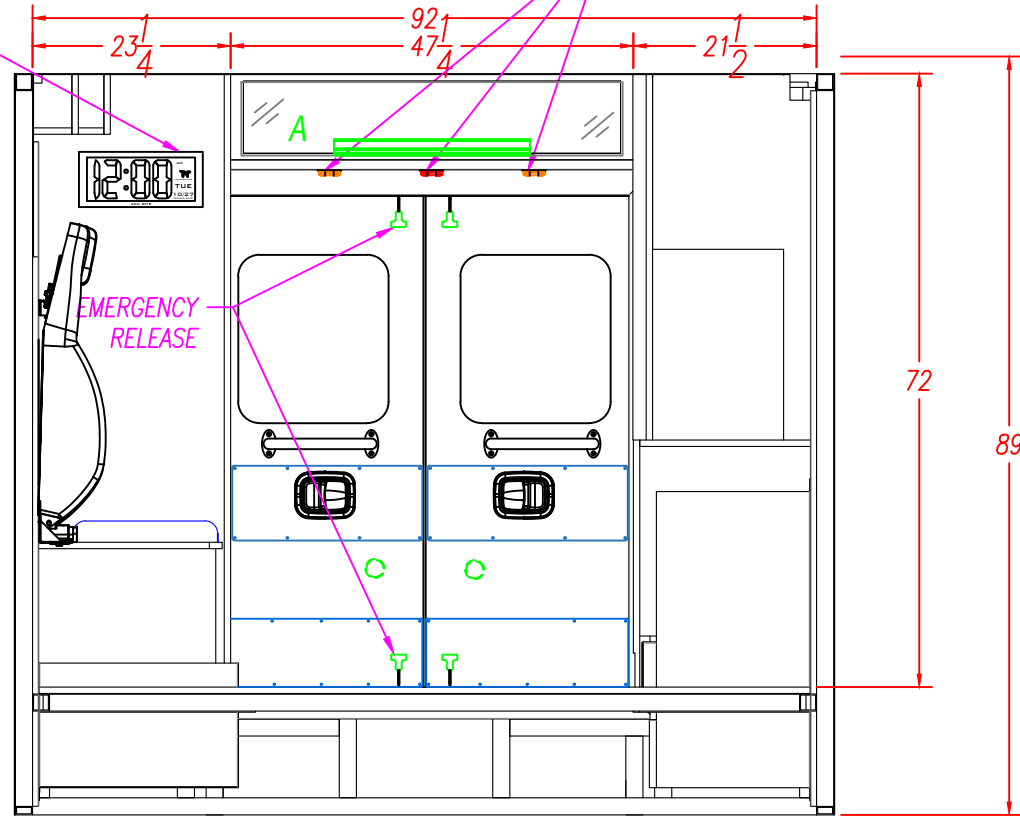
23-M462-63

Sheet

CABINET LIGHTS IN BOTH REAR OVHD CAB

ACU RITE CLOCK

REAR INDICATOR LIGHTS
TURN, BRAKE, TURN



M2 170" TYPE III
FORD E-450 158" WHEELBASE

DESCRIPTION:

REAR ELEVATION

DRAWN BY: I.STANSBURY	DATE CREATED: 1/5/2024	SCALE: 1/2"=1'
REVISED BY: I.STANSBURY	DATE REVISED: 5/8/2024	REVISION: C

Note: Drawings are for reference only, measurements may vary from actual product.



3008 MOBILE DRIVE
ELKHART, IN 46514
PH: 574-266-0911
FAX: 574-266-6669

"LET US SHOW YOU THE MEDIX DIFFERENCE"
WWW.MEDIXAMBULANCE.COM

Dealer: GORMAN

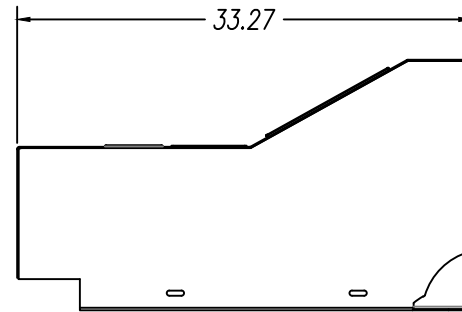
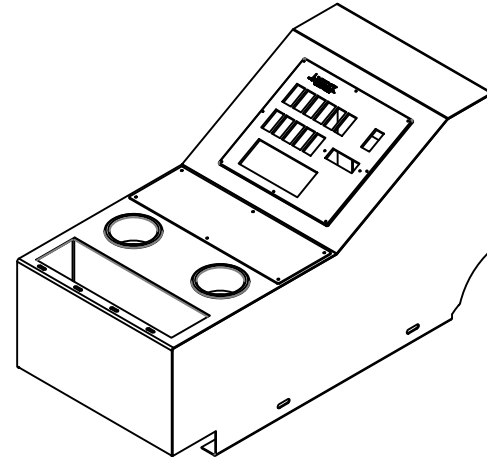
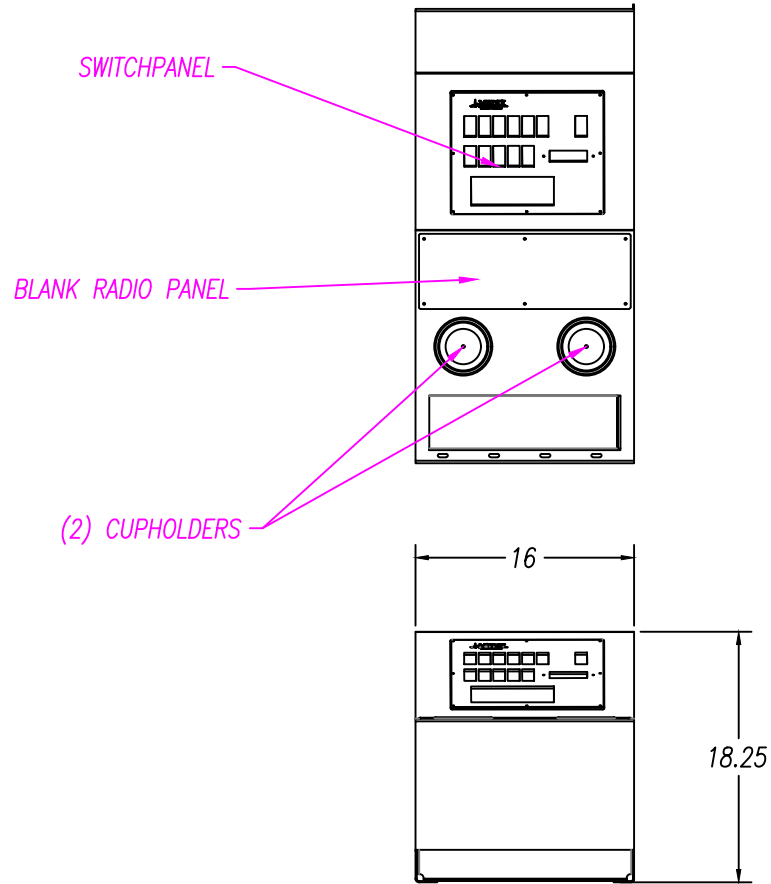
Approved By:

Date:

Customer: DEMO

23-M462-63

Sheet J



INTERIOR CABINET STORAGE

ITEM	HEIGHT	WIDTH	DEPTH	SPECIAL NOTE
A	7"	44 1/4"	9"	
B				
C				
D				
E				
F				

M2 170" TYPE III FORD E-450 158" WHEELBASE		
DESCRIPTION: FRONT CONSOLE		
DRAWN BY: I.STANSBURY	DATE CREATED: 1/5/2024	SCALE: 1/2"=1'
REVISED BY: I.STANSBURY	DATE REVISED: 5/8/2024	REVISION: C
Note: Drawings are for reference only, measurements may vary from actual product.		



MEDIX
SPECIALTY VEHICLES, INC.

3008 MOBILE DRIVE
ELKHART, IN 46514
PH: 574-266-0911
FAX: 574-266-6669

"LET US SHOW YOU THE MEDIX DIFFERENCE"
WWW.MEDIXAMBULANCE.COM